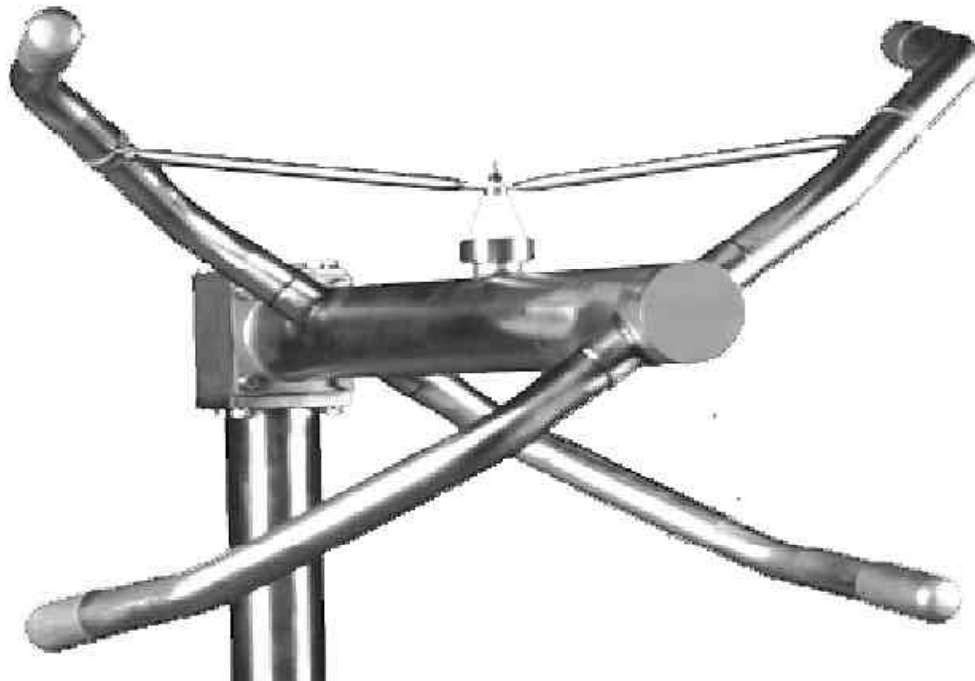


FMA-737

Circularly Polarized FM Antennas
Input Power up to 6 KW/Bay



Features

- True circular polarization
- Heavy duty brass construction
- 3" rigid interbay lines
- Designed to be pressurized for long term reliability
- Balanced feed straps
- Perfect for High Power applications



ARMSTRONG
TRANSMITTER CORPORATION

Web: www.armstrongtx.com
Contact: sales@armstrongtx.com

4835 North Street Marcellus, NY 13108 Tel 315-673-1269 Fax 315-673-9972

FMA-737

TECHNICAL SPECIFICATIONS	
Frequency Range	88-108 Mhz, factory tuned
Polarization	Circular (clockwise)
Power Gain	See Tables
Material	Brass and Copper alloys
Azimuth Pattern	+/- 2 dB, horizontal and vertical
Ellipticity	+/- 3 dB in free space
VSWR	<1.2:1 pole-mount, <1.5:1 side mount

MODEL	No of Bays	Input Connector	Maximum Input Power	Power Gain
FMA-737-1E	1	3" EIA	6 KW	0.5
FMA-737-2E	2	3" EIA	12 KW	1.0
FMA-737-3E	3	3" EIA	18 KW	1.5
FMA-737-4E	4	3" EIA	24 KW	2.0
FMA-737-5E	5	3" EIA	30 KW	2.5
FMA-737-6E	6	3" EIA	30 KW	3.0
FMA-737-8C	8	3" EIA	30 KW	4.0
FMA-737-10C	10	3" EIA	30 KW	5.0
FMA-737-12C	12	3" EIA	30 KW	6.0



ARMSTRONG

TRANSMITTER CORPORATION

Web: www.armstrongtx.com
Contact: sales@armstrongtx.com

4835 North Street Marcellus, NY 13108 Tel 315-673-1269 Fax 315-673-9972